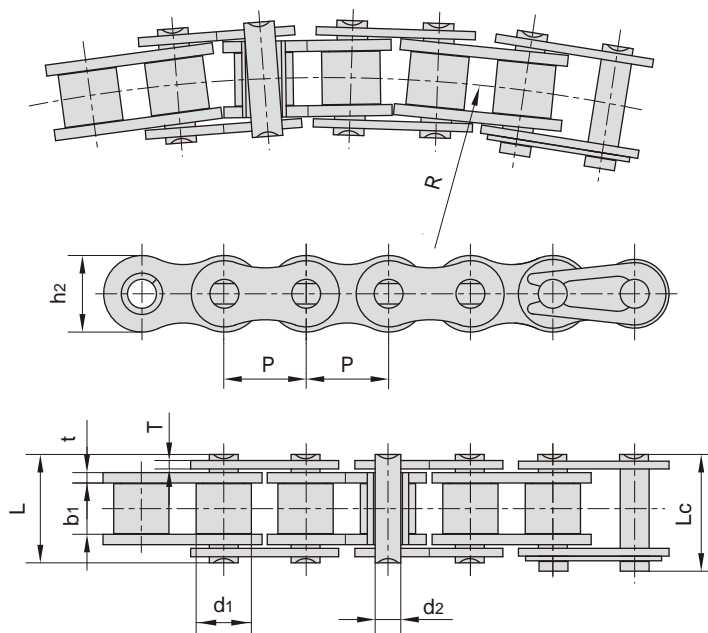


不锈钢侧弯链 Stainless steel side bow roller chains



东华链号 Donghua Chain No.	节距	滚子直径	内节内宽	销轴直径	销轴长度		内链板高度	链板厚度	侧弯半径	抗拉强度	每米长重
	Pitch	Roller diameter	Width between inner plates	Pin diameter	L	Lc	Inner plate depth	Plate thickness	Side bow radius	Tensile strength	Weight per meter
	P	d1 max	b1 min	d2 max	L max	Lc max	h2 max	t/T max	R	Q min	q
	mm	mm	mm	mm	mm	mm	mm	mm	mm	kN/lbf	kg/m
40SBSS	12.700	7.95	7.85	3.96	16.9	18.1	11.7	1.50	350	7.0/1574	0.63
43SBSS	12.700	7.95	7.85	3.45	18.5	-	11.7	1.50	305	7.0/1574	0.65
50SSSB	15.875	10.16	9.40	4.37	20.7	22.7	15.1	2.03	400	12.4/2788	1.10
16BSBSS	25.400	15.88	17.22	7.90	36.5	39.7	21.0	3.70/3.00	500	12.5/2810	2.53