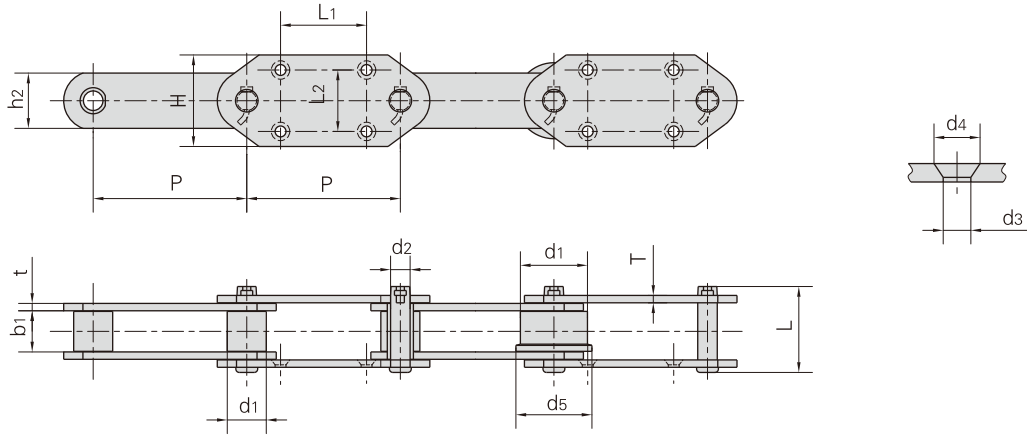
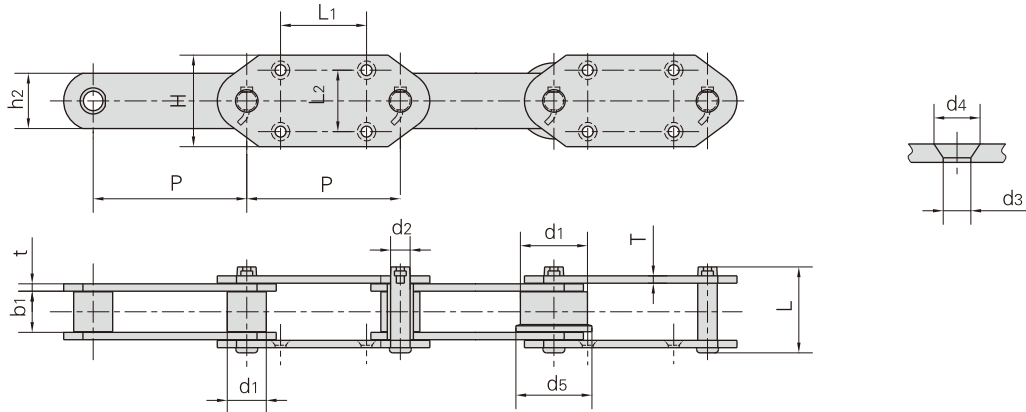


提升机用输送链 Conveyor chains for elevator



东华链号 Donghua Chain No.	节距	滚子直径		内节内宽	销轴直径	销轴长度	链板高度	链板厚度	抗拉强度	平均抗拉强度	每米重量
	Pitch	Roller diameter		Width between inner plates	Pin diameter	Pin length	Plate depth	Plate thickness	Tensile strength	Average tensile strength	Weight per meter
	P	d1 max	d5	b1 min	d2 max	L max	h2 max	t/T max	Q min	Q0	q
	mm	mm	mm	mm	mm	mm	mm	mm	kN/lbf	kN	kg/m
P95	95.0	50.8	58.0	30.0	13.50	70.0	38.0	6.0	75.0/16871	82.5	9.93
P100F225-G4	100.0	40.0	-	22.0	11.30	53.5	32.0	4.5	69.0/15511	75.9	5.00
P100F269-G4	100.0	48.5	-	57.6	25.40	120.0	75.0	10.0	550.0/123640	605.0	31.10
P125F61-G4	125.0	63.5	-	67.4	32.00	141.0	90.0	12.0	750.0/168600	825.0	47.00
P125F62-G4	125.0	70.0	-	75.0	36.00	168.0	100.0	16.0	1000.0/224800	1100.0	68.60
P150F142-G4	150.0	78.0	-	80.0	39.00	172.0	120.0	16.0	1350.0/303480	1485.0	78.90
RF10150RF1	150.0	50.0	60.0	30.0	14.50	69.0	38.1	8.0/6.3	200.0/44992	220.0	8.64
P150F47	150.0	54.0	-	40.0	27.00	112.0	68.5	12.0	600.0/67487	680.0	25.70
RF10150RF1-G4	150.0	29.0	-	30.0	14.50	69.0	38.1	6.3	200.0/44960	220.0	16.70
P152F41	152.4	38.1	-	36.0	15.50	90.0	50.0	8.0	150.0/33743	165.0	11.91
P152F236-G4	152.4	36.0	-	36.5	18.00	87.0	50.0	8.0	280.0/62944	308.0	12.10
RF17200MF1-G-4	200.0	44.5	-	51.4	19.10	120.0	60.0	10.0	245.0/55114	269.5	17.60
RF17200MF2-G-4	200.0	44.5	-	51.4	19.10	109.5	50.8	9.5	213.0/47916	243.0	15.10
P200F128-G4	200.0	50.8	-	56.6	24.00	120.0	70.0	9.5	450.0/101164	490.0	19.40
P200F130-G4	200.0	44.5	-	51.8	19.10	113.0	60.0	10.0	321.0/72164	353.1	17.80
P250F6	250.0	63.5	-	67.0	31.80	146.0	90.0	12.0	900.0/101230	495.0	31.70
P250F66	250.0	80.0	-	51.4	19.10	109.5	50.8	9.5	329.0/73962	378.0	19.79
P250F71SS	250.0	100.0	125.0	79.0	22.00	120.0	64.0	10.0	320.0/71939	368.0	29.80
P250F87-G4	250.0	80.0	-	51.4	22.00	109.0	50.8	9.5	329.0/73959	361.9	19.60
P250F110-G4	250.0	80.0	105.0	51.5	19.10	110.0	50.0	9.0	356.4/80119	392.0	18.30
P250F163	250.0	70.0	-	76.0	35.00	165.0	100.0	16.0	1100.0/247280	1210.0	44.10
P300F1	300.0	70.0	-	75.0	35.00	174.0	100.0	16.0	1065.0/239580	1118.0	47.47
P350F2-G4	350.0	85.0	-	85.0	41.75	189.5	115.0	16.0	1200.0/269772	1372.0	48.43

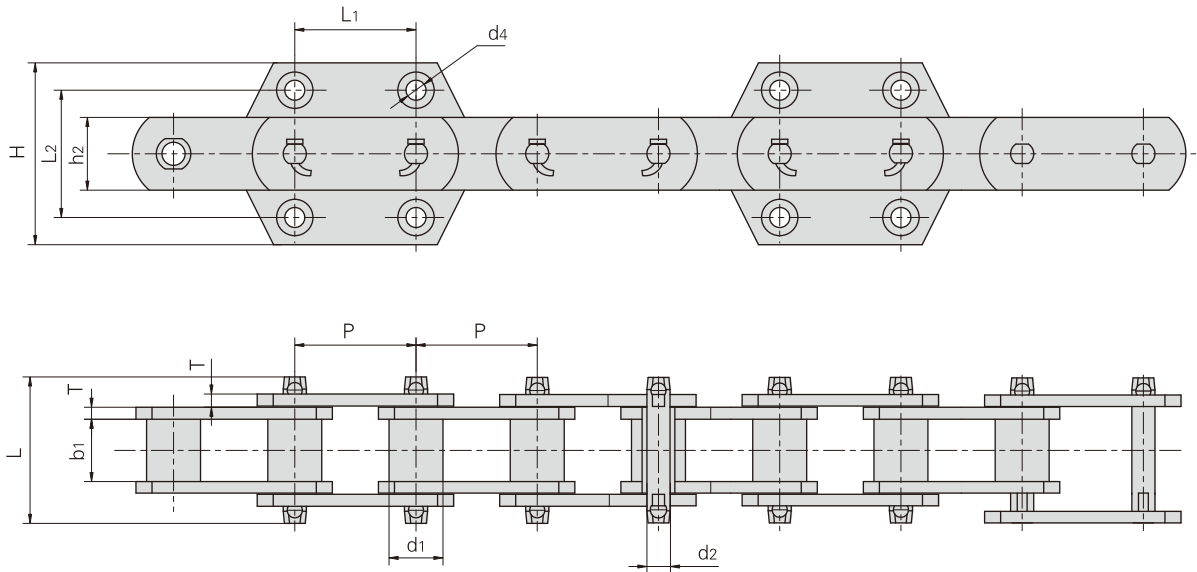
提升机用输送链 Conveyor chains for elevator



东华链号 Donghua Chain No.	P	H	L1	L2	d3	d4
	mm	mm	mm	mm	mm	mm
P95	95.0	95.0	50.0	70.0	12.0	21.0
P100F225-G4	100.0	80.0	50.0	50.0	10.0	15.0
P100F269-G4	100.0	75.0	100.0	106.0	18.0	30.0
P125F61-G4	125.0	180.0	125.0	130.0	18.0	33.0
P125F62-G4	125.0	180.0	125.0	130.0	18.0	33.0
RF10150RF1	150.0	100.0	75.0	70.0	11.0	20.0
P150F47	150.0	110.0	75.0	75.0	12.0	22.0
P150F142-G4	150.0	120.0	150.0	170.0	22.0	38.0
RF10150RF1-G4	150.0	110.0	75.0	70.0	11.0	20.0
P152F41	152.4	110.0	75.0	70.0	14.5	25.0
P152F236-G4	152.4	110.0	75.0	70.0	14.0	27.0
RF17200MF1-G-4	200.0	125.0	100.0	80.0	18.0	33.0
RF17200MF2-G-4	200.0	120.0	100.0	80.0	15.0	26.0
P200F128-G4	200.0	130.0	100.0	80.0	18.0	31.0
P200F130-G4	200.0	125.0	100.0	80.0	18.0	30.0
P250F6	250.0	150.0	140.0	100.0	17.7	30.0
P250F66	250.0	150.0	140.0	100.0	15.0	26.0
P250F71SS	250.0	150.0	110.0	100.0	18.0	-
P250F87-G4	250.0	150.0	140.0	100.0	15.0	26.0
P250F110-G4	250.0	125.0	150.0	80.0	14.0	27.0
P250F163	250.0	151.0	140.0	100.0	18.0	30.0
P300F1	300.0	180.0	170.0	120.0	22.0	39.0
P350F2-G4	350.0	210.0	225.0	140.0	26.0	42.2

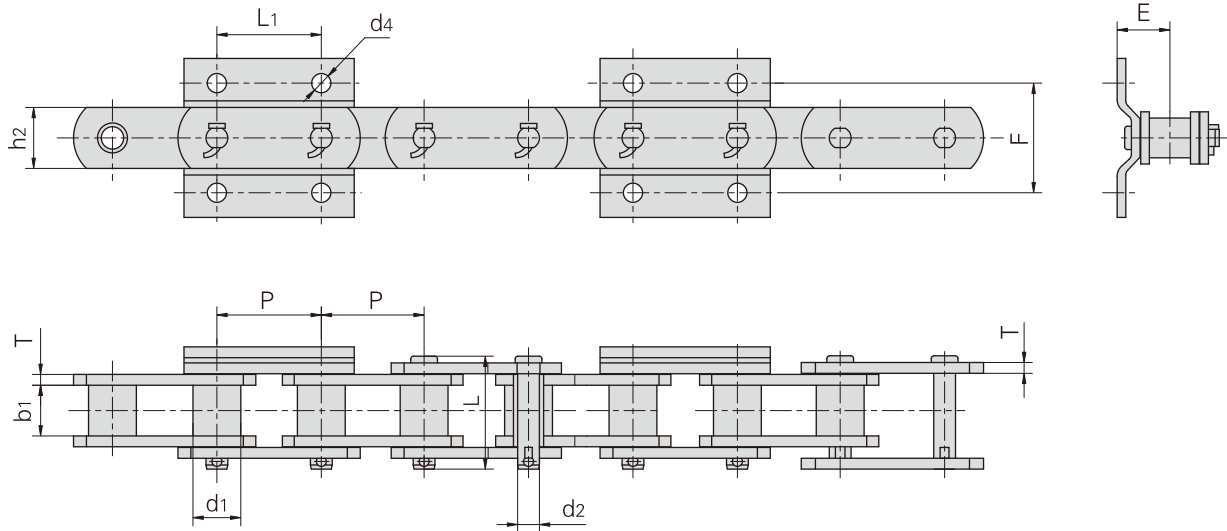


提升机用输送链 Conveyor chains for elevator



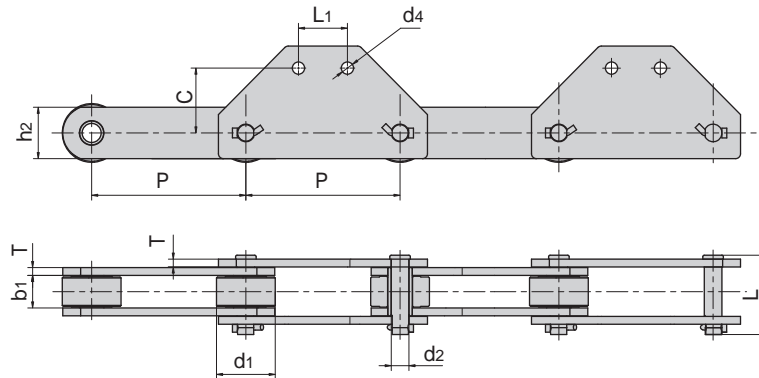
提升机 型号 Elevator type	东华链号 Donghua Chain No.	节距 Pitch	滚子直径 Roller diameter	内节内宽 Width between inner plates	销轴直径 Pin diameter	销轴长度 Pin length	链板高度 Plate depth	链板厚度 Plate thickness	附板尺寸 Attachment dimension			抗拉强度 Tensile strength	
		P	d1	b1	d2	L	h2	T	H	L1	L2	d4	Q min
		mm	mm	mm	mm	mm	mm	mm	mm	mm	mm	mm	mm
	P100F112.04	100.0	44.5	52.0	19.30	120.0	60.0	10.0	150	100	105	18.5	350.0/78735
	P100F107.04	100.0	50.8	58.0	25.40	120.0	75.0	10.0	150	100	105	18.5	550.0/123726
NE15	P101.6F92	101.6	26.5	27.0	11.50	70.0	35.0	6.0	-	40	90	12.0	100.0/22495
NE30	P152F119	152.4	36.0	36.5	15.50	90.0	50.0	8.0	-	60	120	14.0	240.0/53990
NE50	P152F120	152.4	36.0	36.5	15.50	90.0	50.0	8.0	110	75	70	14.0	240.0/53990
	P152F126	152.4	34.9	37.1	15.80	88.0	44.5	7.9	110	75	70	15.0	186.2/41887
NE100	P200F64	200.0	44.5	51.8	19.10	120.0	60.0	10.0	125	100	80	18.0	380.0/85484
NE150	P200F65	200.0	48.5	57.6	22.20	120.0	75.0	10.0	125	100	80	18.0	550.0/123727
	P200F63	200.0	48.5	57.6	22.20	125.0	75.0	10.0	125	100	80	18.5	315.0/70861
NE200	P250F42	250.0	63.5	67.4	31.75	143.0	90.0	12.0	150	140	100	18.0	750.0/168718
NE300	P250F43	250.0	63.5	67.4	31.75	146.0	90.0	12.0	150	140	100	18.0	750.0/168718
NE400	P300F9	300.0	70.0	75.0	35.00	170.0	100.0	16.0	180	170	125	22.0	1065.0/239580

提升机用输送链 Conveyor chains for elevator

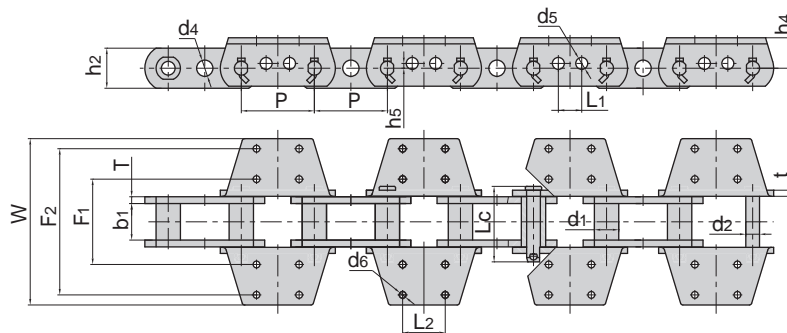


东华链号 Donghua Chain No.	节距 Pitch	滚子直径 Roller diameter	内节内宽 Width between inner plates	销轴直径 Pin diameter	销轴长度 Pin length	链板高度 Plate depth	链板厚度 Plate thickness	附板尺寸 Attachment dimension				抗拉强度 Tensile strength
	P	d1 max	b1 min	d2	L	h2	T	F	L1	d4	E	Q min
	mm	mm	mm	mm	mm	mm	mm	mm	mm	mm	mm	kN/lbf
P75F18	75.0	29.0	30.0	14.5	69.0	38.1	6.3	80.0	75.0	14.0	38.5	204.9/46094
P75F22	75.0	32.0	37.1	15.9	86.5	44.5	7.9	75.0	75.0	14.0	46.5	253.6/57049
P75F24	75.0	29.0	30.0	14.5	69.0	38.1	6.3	80.0	75.0	14.0	38.5	204.9/46093
P75F41-G4	75.0	29.0	29.4	14.5	69.0	38.1	6.3	80.0	75.0	14.0	68.5	205.0/46084
P75F48-G4	75.0	29.0	30.0	14.5	69.0	38.1	6.3	80.0	75.0	14.0	38.5	205.0/46084
P75F59-G4	75.0	29.0	30.0	14.5	69.0	38.1	6.3	80.0	75.0	14.0	38.5	205.0/46084
M224F36-S-75	75.0	42.0	47.0	21.0	97.0	56.0	8.0	100.0	75.0	18.0	55.0	224.0/50909
P76.2F31	76.2	34.9	37.1	17.0	86.5	44.5	7.9	80.0	75.0	14.0	46.5	253.6/57009
P76.2F51-G4	76.2	35.0	37.0	18.0	86.5	50.0	8.0	80.0	75.0	14.0	43.5	290.0/65192
P76.2F55-G4	76.2	34.9	37.1	15.9	84.6	44.5	7.9	80.0	75.0	14.0	46.5	253.6/57009
P76.2F81-G4	76.2	35.0	37.0	18.0	94.0	45.0	10.0	80.0	75.0	14.0	46.0	342.0/76882
P100F97	100.0	40.1	51.4	19.1	109.5	50.8	9.5	100.0	100.0	16.0	58.0	351.0/78960
P100F127-G4	100.0	50.0	57.5	24.0	117.0	63.5	9.5	100.0	100.0	16.0	62.5	470.0/105730
P100F371-G4	100.0	40.0	51.5	20.0	111.5	55.0	10.0	100.0	100.0	16.0	55.0	420.0/94416
P125F41	125.0	57.0	67.0	28.0	147.0	76.0	12.5	110.0	125.0	18.0	77.0	690.0/155112
P125F47-G4	125.0	60.0	67.0	36.0	142.0	90.0	12.0	110.0	125.0	19.0	70.6	613.0/137802
P150F97-G4	150.0	35.0	37.0	18.0	86.5	50.0	8.0	80.0	75.0	14.0	43.0	280.0/62944

提升机用输送链 Conveyor chains for elevator



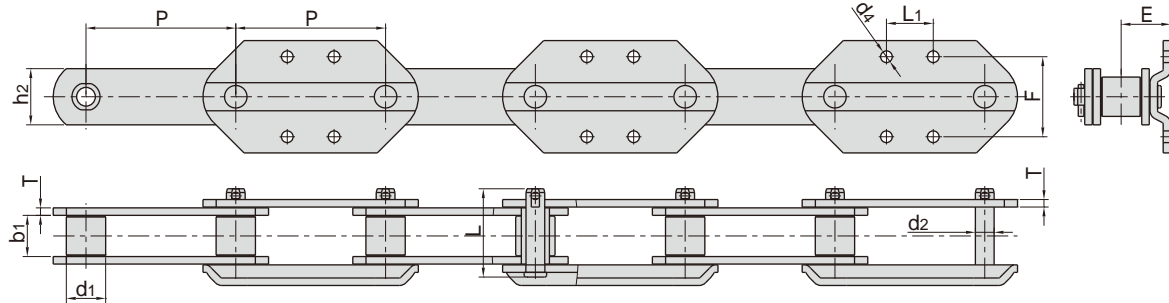
东华链号 Donghua Chain No.	节距 Pitch	滚子直径 Roller diameter	内节内宽 Width between inner plates	销轴直径 Pin diameter	销轴长度 Pin length	链板高度 Plate depth	链板厚度 Plate thickness	附板尺寸 Attachment dimension			抗拉强度 Tensile strength
	P	d1 max	b1 min	d2	L	h2	T	L1	C	d4	Q min
	mm	mm	mm	mm	mm	mm	mm	mm	mm	mm	kN/lbf
P315F12	315.0	120.0	66.5	36.0	162.0	105.0	16.0	100.0	133.0	25.0	1000/224958
P500F4	500.0	150.0	120.0	50.0	227.0	130.0	20.0	400.0	120.0	26.0	2650/596138



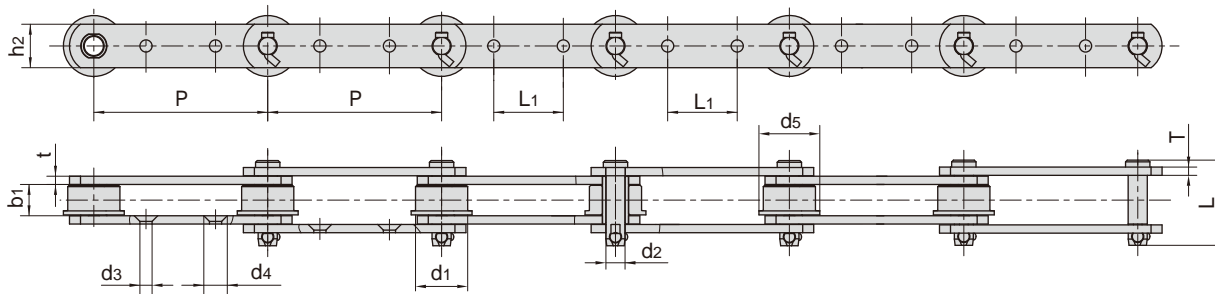
东华链号 Donghua Chain No.	节距 Pitch	套筒直径 Bush diameter	内节内宽 Width between inner plates	销轴直径 Pin diameter	销轴长度 Pin length	内链板高度 Inner Plate depth	链板厚度 Plate thickness	抗拉强度 Tensile strength	平均抗拉强度 Average tensile strength	每米长重 Weight per meter
	P	d1 max	b1 min	d2 max	Lc max	h2 max	t / T	Q min	Qo	q
	mm	mm	mm	mm	mm	mm	mm	kN/lbf	kN	kg/m
P152F172	152.4	50.8	76.2	28.6	157.5	83.60	14.2/12.7	431.0/96889	474.1	47.7
P152F193K2	152.4	44.5	76.2	25.4	152.0	76.20	12.7/12.7	431.0/96889	474.1	35.3
P152F201K4	152.4	44.5	76.2	25.4	152.0	82.55	12.7/12.7	431.0/96889	474.1	44.5

东华链号 Donghua Chain No.	P	h4	h5	F1	F2	W	L1	L2	d4	d5	d6
	mm	mm	mm	mm	mm	mm	mm	mm	mm	mm	mm
P152F172	152.4	63.50	10.0	178.0	305.0	347.0	48.8	88.9	25.0	25.0	14.2
P152F193K2	152.4	47.75	10.0	184.0	-	241.0	48.8	63.5	34.0	25.0	17.5
P152F201K4	152.4	63.50	-	177.8	304.8	355.6	-	88.9	-	-	14.3

提升机用输送链 Conveyor chains for elevator

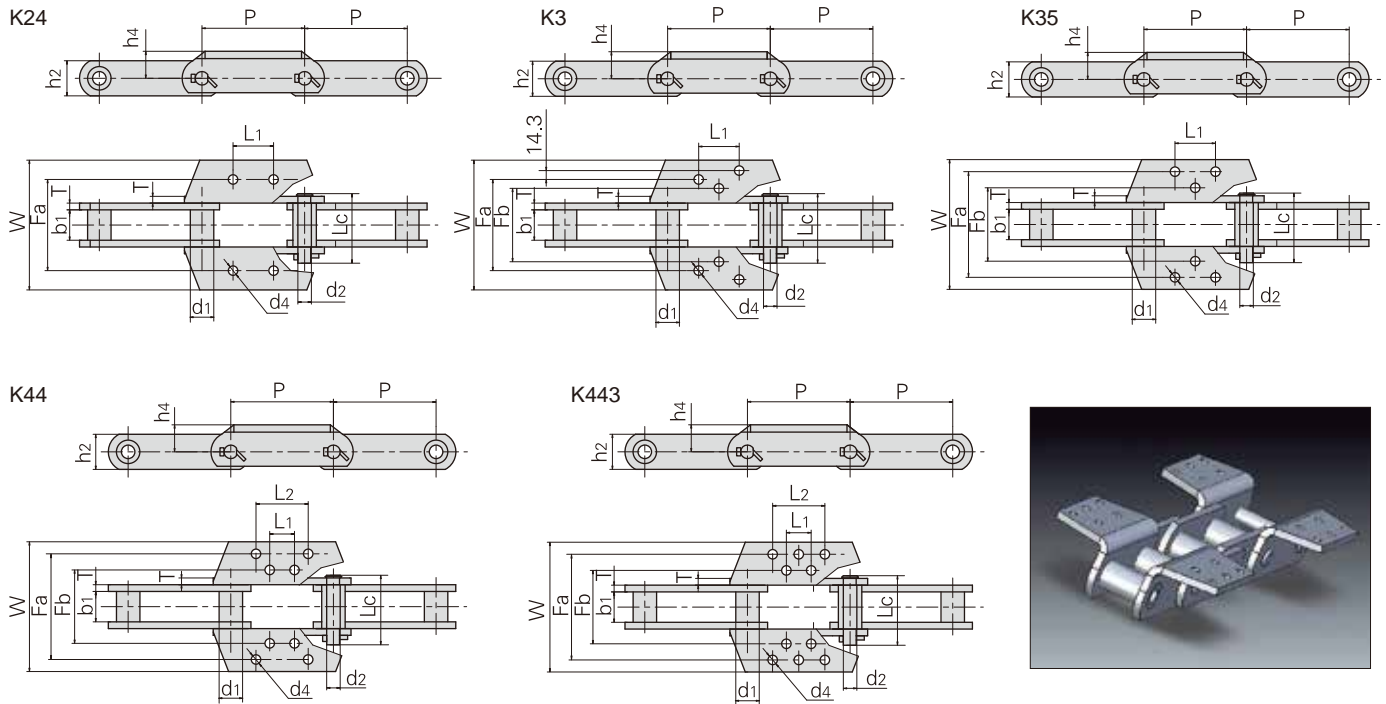


东华链号 Donghua Chain No.	节距 Pitch	滚子直径 Roller diameter	内节内宽 Width between inner plates	销轴直径 Pin diameter	销轴长度 Pin length	链板高度 Plate depth	链板厚度 Plate thickness	附板尺寸 Attachment dimension				抗拉强度 Tensile strength
	P	d1 max	b1 min	d2	L	h2	T	F	L1	d4	E	Q min
	mm	mm	mm	mm	mm	mm	mm	mm	mm	mm	mm	kN/lbf
P160F61-G4	160.0	42.0	44.0	20.0	94.3	60.00	8.0	85.5	50.0	12.5	53.0	250.0/56202
P200F95-G4	200.0	34.9	37.1	15.9	86.4	44.45	7.9	100.0	100.0	15.0	45.0	280.0/62947
P200F153-G4	200.0	34.9	37.1	15.9	86.4	44.45	7.9	100.0	100.0	15.0	45.0	280.0/62947
RF17200S-G4	200.0	40.1	51.4	19.1	109.5	50.80	9.5	100.0	100.0	15.0	65.0	360.0/80931



东华链号 Donghua Chain No.	节距 Pitch	滚子直径 Roller diameter		内节内宽 Width between inner plates	销轴直径 Pin diameter	销轴长度 Pin length	链板高度 Plate depth	链板厚度 Plate thickness	附件尺寸 Attachment dimension			抗拉强度 Tensile strength	每米长重 Weight per meter
	P	d1 max	d5 max	b1 min	d2 max	L max	h2 max	t/T max	L1 max	d3 max	d4 max	Q min	q
	mm	mm	mm	mm	mm	mm	mm	mm	mm	mm	mm	kN/lbf	kg/m
P75F39-G2	75.0	31.8	-	16.0	8.0	41.0	22.0	3.2	30.0	8.0	13.5	30/6744	2.80
P200F70	200.0	60.0	70.0	35.0	22.0	98.0	50.0	9.5	80.0	14.0	27.0	320/71940	13.52

提升机用输送链 Conveyor chains for elevator



东华链号 Donghua Chain No.	节距 Pitch	套筒直径 Bush diameter	内节内宽 Width between inner plates	销轴直径 Pin diameter	销轴长度 Pin length	链板高度 Plate depth	链板厚度 Plate thickness	抗拉强度 Tensile strength	平均抗拉强度 Average tensile strength	每米长重 Weight per meter
	P mm	d1 max mm	b1 min mm	d2 max mm	L max mm	h2 max mm	t / T mm	Q min kN/lbf	Qo kN	kg/m
856	152.4	44.5	76.2	25.40	155.5	63.5	12.7	539/121252	592.9	24.5
857	152.4	44.5	76.2	25.40	155.5	82.6	12.7	775/174342	852.5	30.0
859	152.4	60.3	95.3	31.75	190.0	101.6	16.0	1180/265450	1298.0	51.0
864	177.8	60.3	95.3	31.75	190.0	101.6	16.0	1230/276698	1353.0	51.0
S859F1-K4	152.4	60.4	95.3	31.75	189.5	101.6	16.0	690.0/155112	759.0	73.8
S984F3-K443	177.8	63.5	95.3	35.00	204.0	101.6	16.0	689.4/154977	758.3	74.0
S864F3-K443	177.8	60.4	95.3	31.75	189.5	101.6	16.0	1045.0/234916	1149.5	69.8

东华链号 Donghua Chain No.	附件类型 Attachment type	附板尺寸 Attachment dimension									每件重量 Weight per att. kg/att.
		P	h4	Fb	Fa	W	L1	L2	T	d4	
		mm	mm	mm	mm	mm	mm	mm	mm	mm	mm
856	K24	152.4	47.6	-	184.2	241	63.5	-	12.7	18.0	1.5
856	K3	152.4	47.6	166.7	277.8	344	70.0	-	12.7	15.0	2.8
856	K35	152.4	47.6	184.2	298.5	344	63.5	-	12.7	18.0	2.8
859	K44	152.4	76.2	228.6	330.2	381	70.0	114.5	16.0	17.5	5.0
864	K443	177.8	76.2	228.6	330.2	381	95.3	140.0	16.0	17.5	7.5
S859F1-K4	K44	152.4	76.2	228.6	330.2	381	69.9	114.3	16.0	17.5	5.5
S984F3-K443	K443	177.8	76.2	228.6	330.2	378	95.3	139.7	16.0	17.5	6.4
S864F3-K443	K443	177.8	76.2	228.6	330.2	381	95.3	139.7	16.0	17.5	6.2