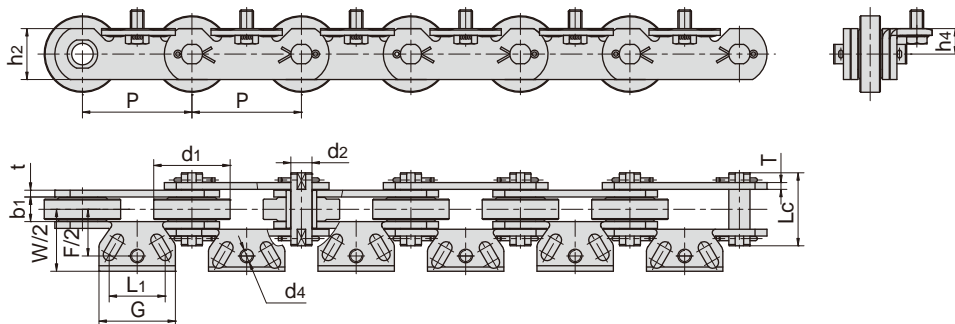
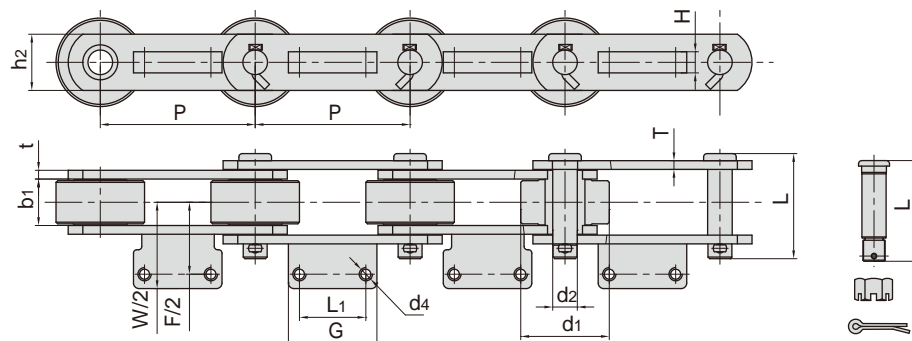


洗瓶机输送链 Bottle washer conveyor chains



东华链号 Donghua Chain No.	节距	滚子直径	内节内宽	销轴直径	销轴长度	链板高度	链板厚度	抗拉强度	平均抗拉强度	每米长重
	Pitch	Roller diameter	Width between inner plates	Pin diameter	Pin length	Plate depth	Plate thickness	Tensile strength	Average tensile strength	Weight per meter
	P	d1 max	b1 min	d2 max	Lc max	h2 max	t/T max	Q min	Q0	q
	mm	mm	mm	mm	mm	mm	mm	kN/lbf	kN	kg/m
P129A1F1-P	129.0	90.0	29.0	24.9	86.0	60.0	8.0	350.0/78683	385.0	22.6

东华链号 Donghua Chain No.	L1	G	F	W	h4	d4
	mm	mm	mm	mm	mm	mm
P129A1F1-P	66.0	90.0	110.0	146.0	30.0	M16

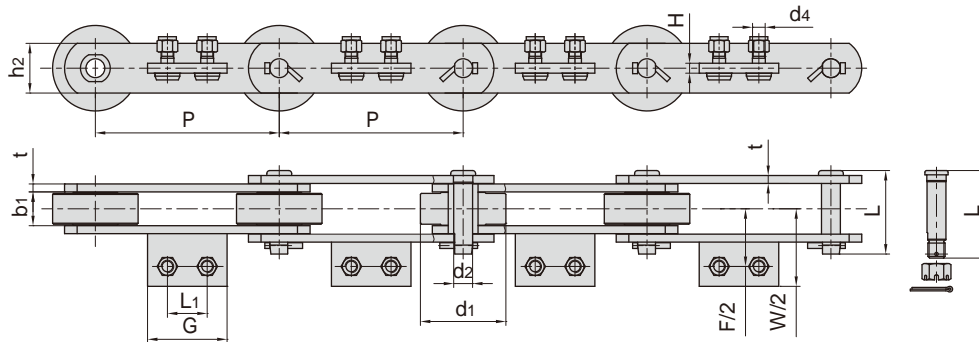


*表示销轴为每节带螺母型
*Each pin with nut

东华链号 Donghua Chain No.	节距	滚子直径	内节内宽	销轴直径	销轴长度	链板高度	链板厚度	抗拉强度	每米长重
	Pitch	Roller diameter	Width between inner plates	Pin diameter	Pin length	Plate depth	Plate thickness	Tensile strength	Weight per meter
	P	d1 max	b1 min	d2 max	L max	h2 max	t/T max	Q min	q
	mm	mm	mm	mm	mm	mm	mm	kN/lbf	kg/m
P125F87A2*	125.0	80.0	42.0	22.23	97.0	50.8	7.9	222.4/49996	25.20
P140F50A2	140.0	80.0	42.0	22.23	95.0	50.8	7.9	222.4/49996	23.69
P173F1A2*	173.0	80.0	32.0	21.85	89.0	50.0	8.0/7.0	280.0/62944	19.20
P173F2A2*	173.0	80.0	43.0	21.85	102.0	50.0	8.0	280.0/62944	21.68

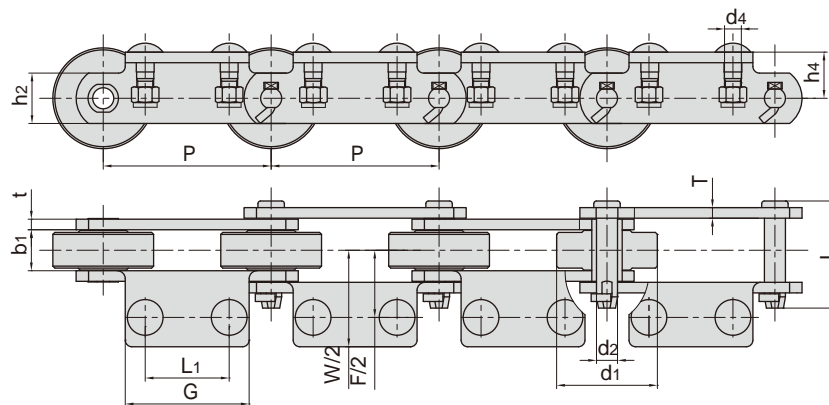
东华链号 Donghua Chain No.	P	G	L1	F	W	H	d4
	mm	mm	mm	mm	mm	mm	mm
P125F87A2*	125.0	71.0	45.0	130.0	156.0	19.1	M12
P140F50A2	140.0	80.0	60.0	130.0	156.0	19.1	M12
P173F1A2*	173.0	90.0	60.0	130.0	158.0	20.0	M12
P173F2A2*	173.0	90.0	60.0	130.0	158.0	20.0	M12

洗瓶机输送链 Bottle washer conveyor chains



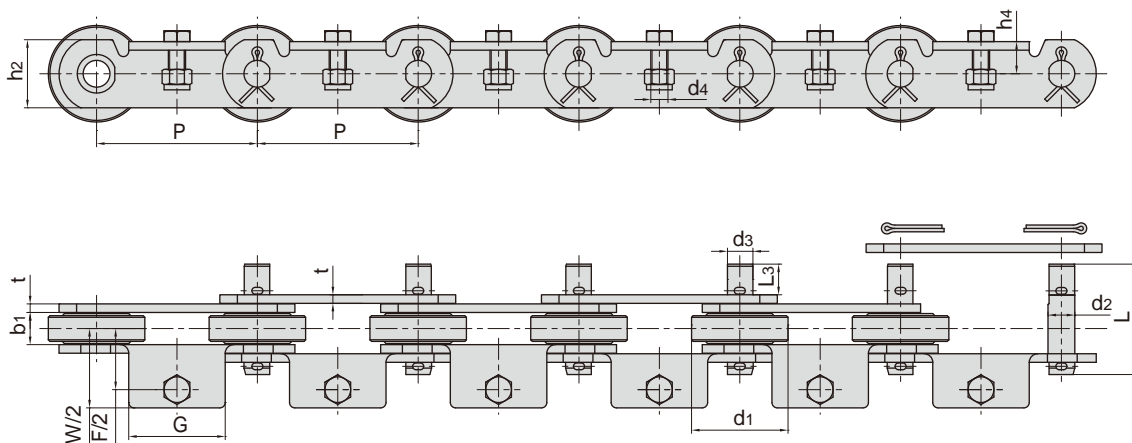
东华链号 Donghua Chain No.	节距	滚子直径	内节内宽	销轴直径	销轴长度	链板高度	链板厚度	抗拉强度	每米长重
	Pitch	Roller diameter	Width between inner plates	Pin diameter	Pin length	Plate depth	Plate thickness	Tensile strength	Weight per meter
	P	d1 max	b1 min	d2 max	L max	h2 max	t/T max	Q min	q
	mm	mm	mm	mm	mm	mm	mm	kN/lbf	kg/m
P140F51A2*	140.0	80.0	42.0	22.0	102.0	50.0	8.0	280.0/62944	24.8
P185F3A2	185.0	86.0	34.0	19.0	84.0	50.0	8.0	280.0/62944	17.8
东华链号 Donghua Chain No.	P	G	L1	F	W	H	d4		
	mm	mm	mm	mm	mm	mm	mm		
	P140F51A2*	140.0	80.0	60.0	130.0	156.0	20.0	M12	
P185F3A2	185.0	80.0	40.0	116.0	156.0	10.0	M12 x 1.50		

*表示销轴为每节带螺母
*Each pin with nut



东华链号 Donghua Chain No.	节距	滚子直径	内节内宽	销轴直径	销轴长度	链板高度	链板厚度	抗拉强度	每米长重
	Pitch	Roller diameter	Width between inner plates	Pin diameter	Pin length	Plate depth	Plate thickness	Tensile strength	Weight per meter
	P	d1 max	b1 min	d2 max	L max	h2 max	t/T max	Q min	q
	mm	mm	mm	mm	mm	mm	mm	kN/lbf	kg/m
P127F12A2	127.0	76.2	31.0	15.90	81.0	38.1	8.0	180.0/40464	16.50
P152F230A2	152.4	65.0	35.0	15.90	81.6	40.0	7.9	165.0/37092	13.30
东华链号 Donghua Chain No.	P	G	L1	F	W	h4	d4		
	mm	mm	mm	mm	mm	mm	mm		
	P127F12A2	127.0	93.7	63.5	101.6	146	34.9	1/2 - 13UNC	
P152F230A2	152.4	90.0	50.0	100.0	130	30.0	M10		

洗瓶机输送链 Bottle washer conveyor chains



东华链号 Donghua Chain No.	节距	滚子直径	内节内宽	销轴直径	销轴长度	链板高度	链板厚度	抗拉强度	每米长重
	Pitch	Roller diameter	Width between inner plates	Pin diameter	Pin length	Plate depth	Plate thickness	Tensile strength	Weight per meter
	P	d1 max	b1 min	d2 max	L max	h2 max	t/T max	Q min	q
	mm	mm	mm	mm	mm	mm	mm	kN/lbf	kg/m
P150F145A1	150.0	90.0	30.0	25.0	103.0	63.5	8.0	300.0/67440	22.0
P192F2A1	192.0	100.0	30.0	25.4	110.0	63.5	9.5	400.0/89920	17.8

东华链号 Donghua Chain No.	P	G	F	W	h4	d4	d3	L3
	mm	mm	mm	mm	mm	mm	mm	mm
P150F145A1	150.0	90.0	114.0	148.0	30.0	M16	24.8	28.6
P192F2A1	192.0	130.0	114.0	152.0	29.0	M16	31.8	25.4